



Technical Data

Part #

LLB-53BK-01-00

Navigation Tri / Anchor Light / Flash

Certified USCG
COLREG 72 & ABYC-A16

ZERO EMI ULTRA LIGHT NAVIGATION FIXTURE 2 NAUTICAL MILE

Introducing the new LLB-53Bx Series Navigation Fixtures that produce zero EMI for the most sensitive equipment. In keeping with AIS advances, Lunasea Lighting has developed a new masthead light that utilizes Active Current Control technology that is only available in 12-volt version. The masthead lamp eliminates all high frequency noise without compromising optical capability or mechanical and electrical specifications.



Lunasea's Tri-color/Anchor/Flash and Anchor/Flash LED navigation models have the added features that you asked for, and more. This lightweight fixture, made of machined aluminum weighs just 140 grams (4.9 ounces). We've added emergency flash, auto daylight turnoff for anchor, and a removable bird spike. The waterproof connector is only 0.38 inch wide for easier cable routing. The glass lens assures excellent light transmission for the life off the product. 3 year warranty.

- Anodized Machined Aluminum
- Ultra-light Weight, only 4.9 Ounces
- Miniature Waterproof Connector
- Glass Lens
- Maintains Full Brightness as low as 10VDC
- Three Wire Hookup
- Removable Anti-Bird Spike
- Threaded hole can mount Davis™ Windex on top of light
- Daylight Sensor automatically turns off Anchor Light during Day

Voltage Range: 12VDC

Power Consumption: 5 Watt

Light Output: 2NM

Enclosure: Machined Aluminum
Removable Aluminum Bird-Spike

Wiring: 3 Wire

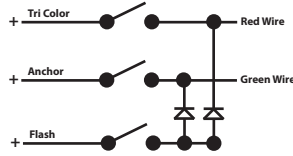
Infrared Light Sensor Daylight Auto-off for Anchor
(does not effect running or flash)

WIRING DIAGRAM

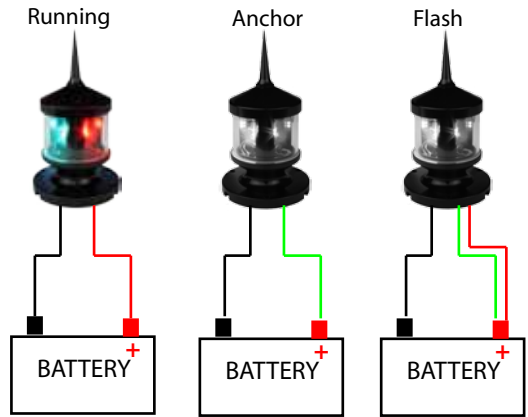
THREE WIRE CONFIGURATION (all features functional)

Three wires up mast - Anchor, Running and Ground

- + RED : Running
- + GREEN : Anchor
- + RED & + GREEN : Flash
- BLACK (ground)



If you have three existing switches you will need to add diodes (1N4001 or similar) to circuit

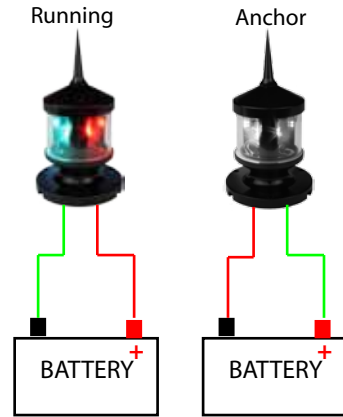
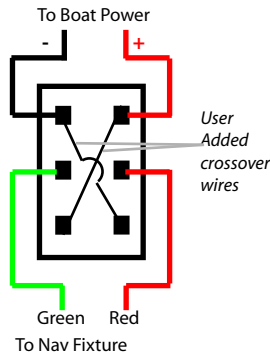


TWO WIRE CONFIGURATION (running and anchor only)

Two wires up mast - Anchor and Ground (requires DPDT crossover switch)

- + RED / - GREEN Running
- + GREEN / - RED Anchor
- (BLACK : NOT USED)

CROSSOVER SWITCH FOR TWO WIRE CONFIGURATION



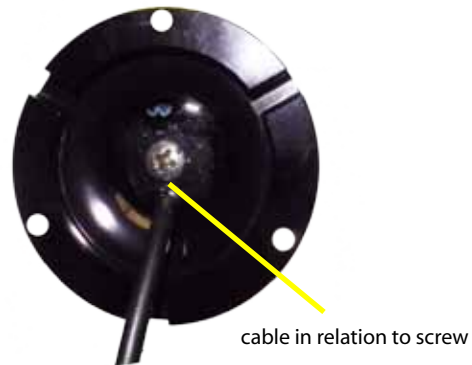
NOTE: WHEN TESTING BE SURE TO BLOCK EXTERNAL LIGHT TO TEMPORARILY DISABLE AUTO ANCHOR TURN OFF
 Cover "Green" starboard side of lens to test daylight sensor.

DIMENSIONS

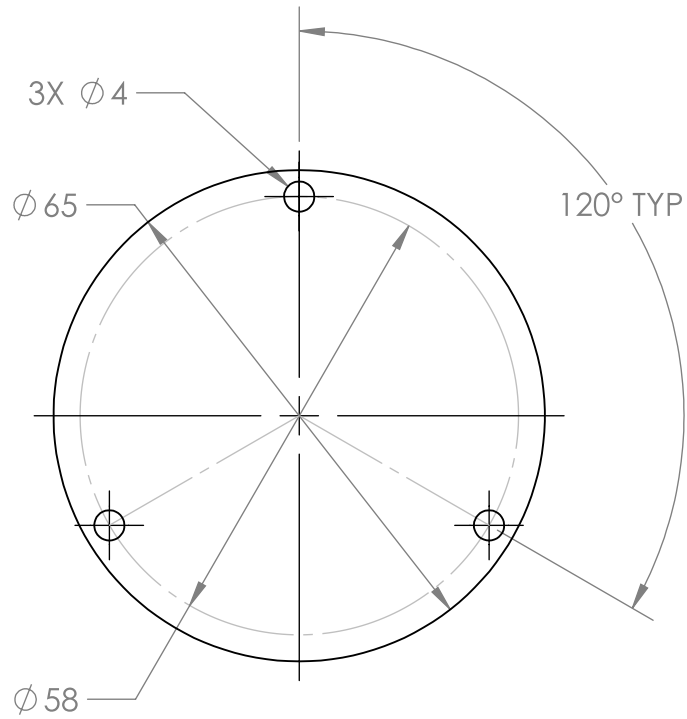


MOUNTING

BOW
(FRONT)



WARNING: When printing below template please measure results for accuracy before drilling holes.
Printer may do scaling leading to wrong hole placement.



SCALE 1 : 1
DIM = MM
LL53